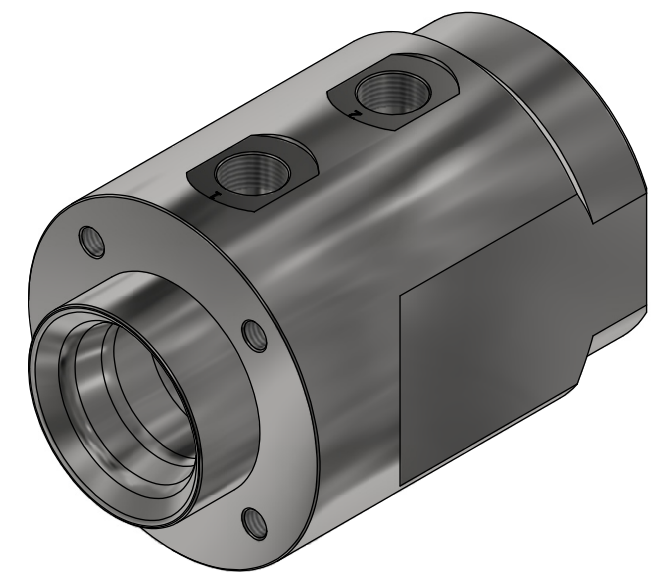


NOTE: 1
 DESIGN CODE:
 API 17H Type 1
 ISO 13628-8

NOTE:
 TECHNICAL CLASSIFICATION:
 Article Type: 001-Hot Stabs
 Main Group: 1.03. Ø43 Hot Stab
 Intermediate Group: 1.2.02. Receptacle
 Sub Group: 1.2.6.02. Dual

NOTE: 3
 INTERFACE INFORMATION:
 Pressure Rating Bar: 1380
 Material: S32750 SUPER DUPLEX
 Weight: 7,2 kg
 Volume: 0,92 dm³
 Surface Area: 882 cm²
 Hydraulic: MP 9/16"
 Mechanical: 4xM10@PCD 86
 Electrical: N/A
 Com. & Protocol: N/A

NOTE: 4
 ADDITIONAL INFORMATION:
 Other hydraulic port interface can be delivered on customers request.



Rev.	Date	Reason for issue	Revision change	Made	Chk'd	Appr.
02	24.11.2020	9-IFU (Issued for Use)		HNJ	LGH	HNJ
01	11.11.2014	2-IFT (Issued for Tender)		HNJ	NA	NA



Unless Noted Otherwise:	Dwg Scale: NTS
Dim. Tol: NS-ISO 2768-1	Dwg Proj:
Roughness: Ra	Dwg Format: A3
Fillet Rad: Corner Rmax:	Break Edges: (R. Alt. 45°) R= 0,1-0,5

Drawing title: Ø43 DP Rec 20k Long-term MP 9/16"	Rev: 02
Drawing number: BA5926	